



Animal Health Catalogue

Large animal IV sets



BD

One specific need of veterinarians is the ability to set up infusion therapy for large animals.

That's why we have developed a range of dedicated sets with longer tubings for animal comfort and large capacity for high volume and long therapy.

Our product offer includes spiral and straight IV sets, with 1 to 4 spikes and a length of up to 5 meters.



Reference	Description	Length (cm)	Units/ Box
TSK-01	Horse spiral IV sets	430	10
TSK-01 BAR		530	10
TSK-01D		420	12
TSK-01F		505	10
TSK-04	Horse straight IV sets	225	50
TSK-04B		230	50
TSK-03	Pet/ small horse coiled IV sets	360	25
TSK-03B		390	25
PF-04	Cattle sets	150	50
REV-1		150	200

Leader in infusion, BD offers a wide portfolio of IV sets, extension sets and accessories to meet your specific veterinary needs.

Visit our on-line catalogue:

www.bd-products.com/products/ivsets/index.php

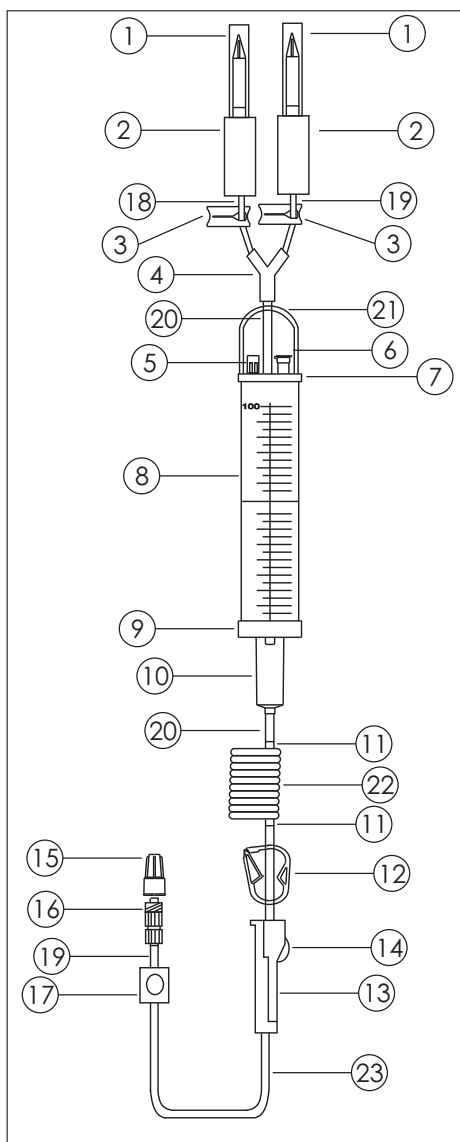
TSK-01

Infusion set with 2 spikes,
100 ml burette, spiral tubing.



Reference	Tubing length	Sterilization	Units / box	Packaging dimensions/ volume
TSK-01	430 cm	Sterile (EtO)	10	39 x 39 x 25.4 cm/ 38 cm ³

No DEHP intentionally added, latex-free



TSK-01

N.	Description
1	Protective Cap
2	Spike
3	Flat white clamp
4	Y connector
5	Luer lock injection site
6	Air inlet
7	Upper cover
8	Burette 100 ml
9	Lower cover
10	Drip chamber
11	Male Luer lock
12	Large white clamp
13	Roller clamp
14	Wheel
15	Protective cap
16	Blue rotating Luer lock
17	Injection site

	Inside Diameter (mm)	Outside Diameter (mm)	Length (mm)
18	4.8	6.8	150
19	4.5	6.8	300
20	4.8	6.8	100
21	2.9	4.1	300
22	4	6	3 000
23	4.5	6.8	700

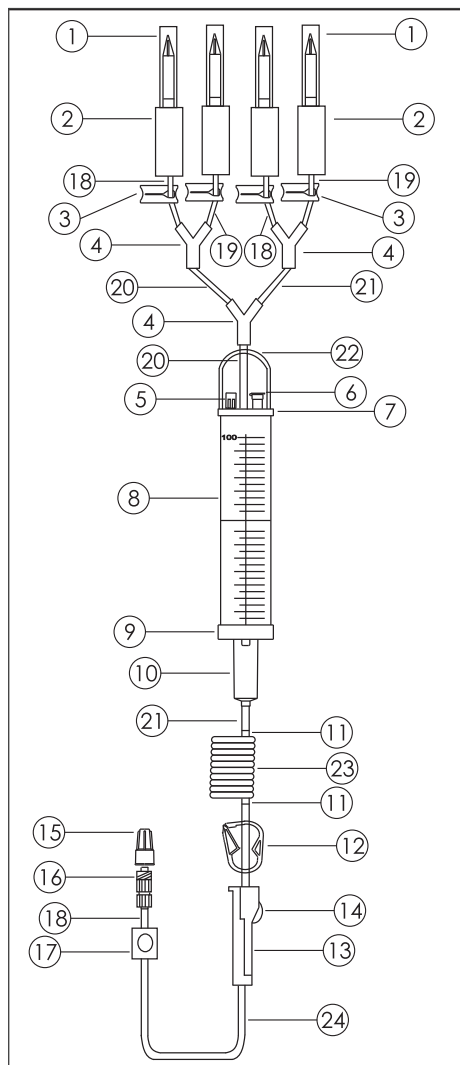
TSK-01 BAR

Infusion set with 4 spikes, spiral tubing.



Reference	Tubing length	Sterilization	Units / box	Packaging dimensions/ volume
TSK-01 BAR	530 cm	Sterile (EtO)	10	39 x 39 x 25.4 cm/ 38 cm ³

No DEHP intentionally added, latex-free



TSK-01 BAR

N.	Description
1	Protective Cap
2	1-way Spike
3	Flat white clamp
4	Y connector
5	Luer lock injection site
6	Air inlet
7	Upper cover
8	100 ml burette
9	Lower cover
10	Drip chamber
11	Male Luer lock
12	Large white clamp
13	Roller clamp
14	Wheel
15	Protective cap
16	Rotating Luer lock
17	Injection site

	Inside Diameter (mm)	Outside Diameter (mm)	Length (mm)
18	4.8	6.8	250
19	4.8	6.8	150
20	4.5	6.8	250
21	4.5	6.8	100
22	3	4.1	300
23	4	6	4 000
24	4.5	6.8	700

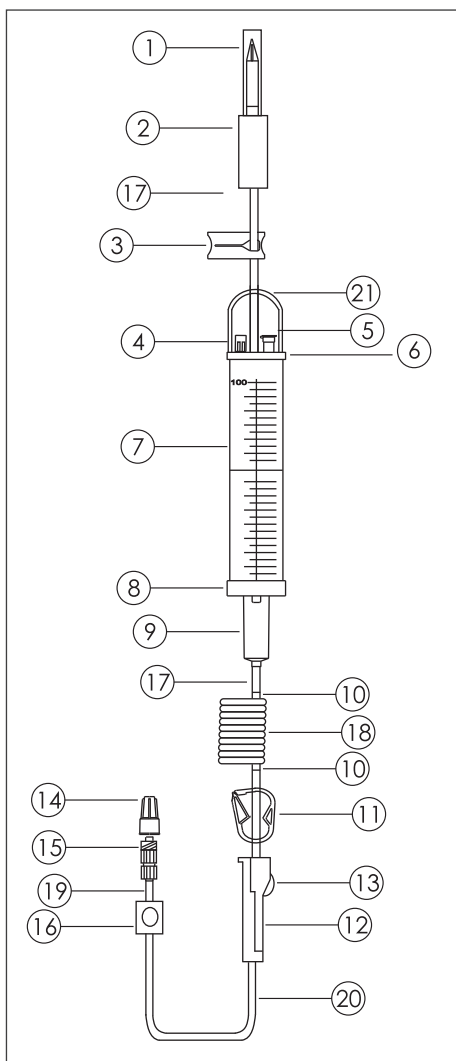
TSK-01D

Infusion set with 1 spike,
100 ml burette, spiral tubing.



Reference	Tubing length	Sterilization	Units / box	Packaging dimensions/ volume
TSK-01D	420 cm	Sterile (EtO)	12	39 x 39 x 25.4 cm/ 38 cm ³

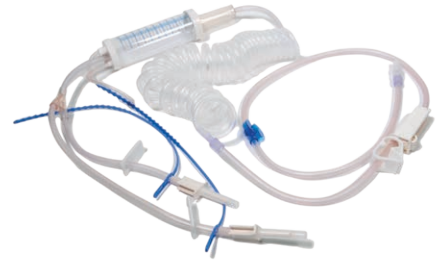
No DEHP intentionally added, latex-free



TSK-01D				
N.	Description			
1	Protective cap			
2	Spike			
3	Flat white clamp			
4	Luer lock injection site			
5	Air inlet			
6	Upper cover			
7	Cylinder 100 ml			
8	Lower cover			
9	Drip chamber			
10	Male Luer lock			
11	Large white clamp			
12	Roller clamp			
13	Wheel			
14	Protective cap			
15	Blue rotating Luer lock			
16	Injection site			
		Inside Diameter (mm)	Outside Diameter (mm)	Length (mm)
17		4.5	6.8	100
18		4	6	4 000
19		4.5	6.8	300
20		4.5	6.8	700
21		2.9	4.1	300

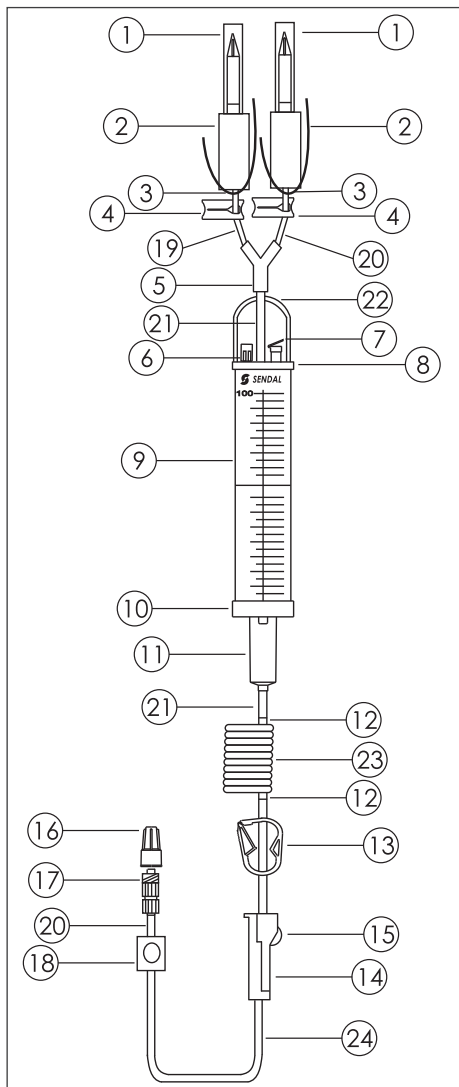
TSK-01F

Infusion set with 2 spikes,
100 ml burette, spiral tubing.



Reference	Tubing length	Sterilization	Units / box	Packaging dimensions/ volume
TSK-01F	505 cm	Sterile (EtO)	10	39 x 39 x 25.4 cm/ 38 cm ³

No DEHP intentionally added, latex-free



TSK-01F

N.	Description
1	Protective Cap
2	1-way Spike
3	Hose clamp
4	Flat white clamp
5	Y connector
6	Luer lock injection site
7	Air inlet
8	Upper cover
9	100 ml burette
10	Lower cover
11	Drip chamber
12	Male Luer lock
13	Large white clamp
14	Roller clamp
15	Wheel
16	Protective cap
17	Rotating Luer lock
18	Injection site

	Inside Diameter (mm)	Outside Diameter (mm)	Length (mm)
19	4.5	6.89	200
20	4.5	6.8	300
21	4.5	6.8	100
22	3	4.1	300
23	4	6.3	3 300
24	4.5	6.3	700

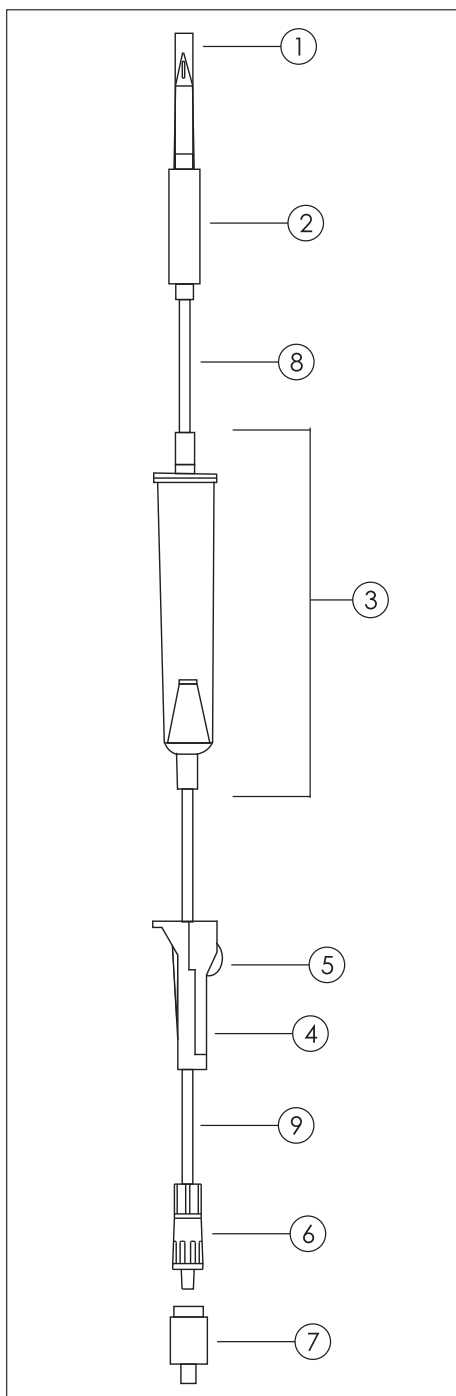
TSK-04

High flow infusion set with 1 spike.



Reference	Tubing length	Sterilization	Units / box	Packaging dimensions/ volume
TSK-04	225 cm	Sterile (EtO)	-	39 x 39 x 25.4 cm/ 38 cm ³

No DEHP intentionally added, latex-free



TSK-04			
N.	Description		
1	Protective cap		
2	Spike		
3	Upper cover		
4	Drip chamber		
5	Filter		
6	Roller clamp		
7	Wheel		
8	Blue Luer lock		
9	Cap		
	Inside Diameter (mm)	Outside Diameter (mm)	Length (mm)
11	4.8	6.8	250
12	4.8	6.8	2 000

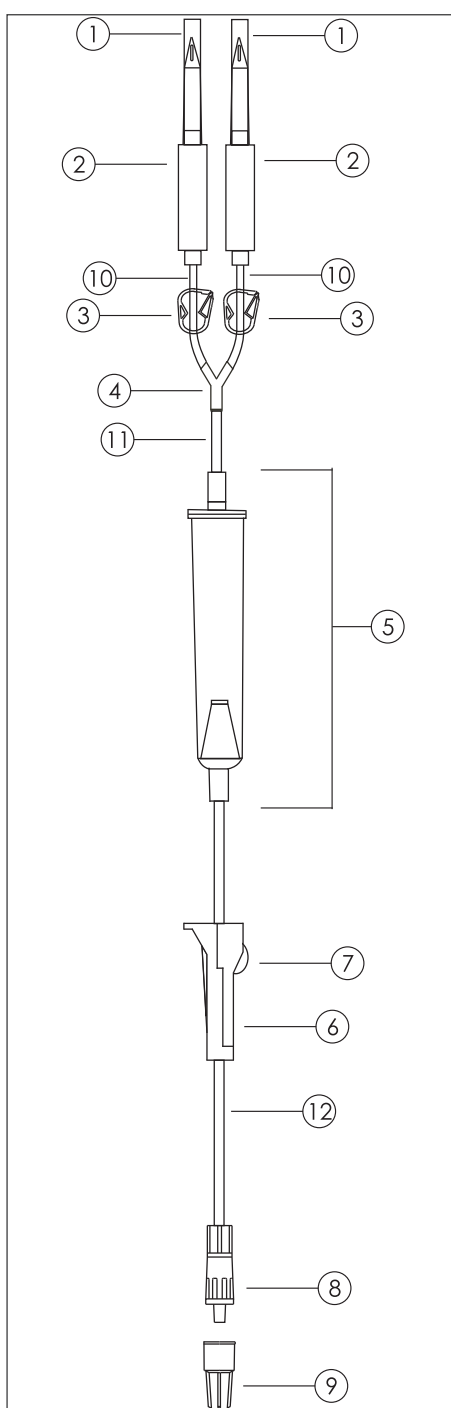
TSK-04B

High flow infusion set with 2 spikes.



Reference	Tubing length	Sterilization	Units / box	Packaging dimensions/ volume
TSK-04B	230 cm	Sterile (EtO)	50	39 x 39 x 41 cm/ 63 cm ³

No DEHP intentionally added, latex-free



TSK-04B			
N.	Description		
1	Protective cap		
2	Spike		
3	Large white clamp		
4	Y connector		
5	Upper cover Drip chamber Filter		
6	Roller clamp		
7	Wheel		
8	Blue Luer lock		
9	Cap		
	Inside Diameter (mm)	Outside Diameter (mm)	Length (mm)
10	4.8	6.8	250
11	4.8	6.8	50
12	4.8	6.8	2 000

TSK-03

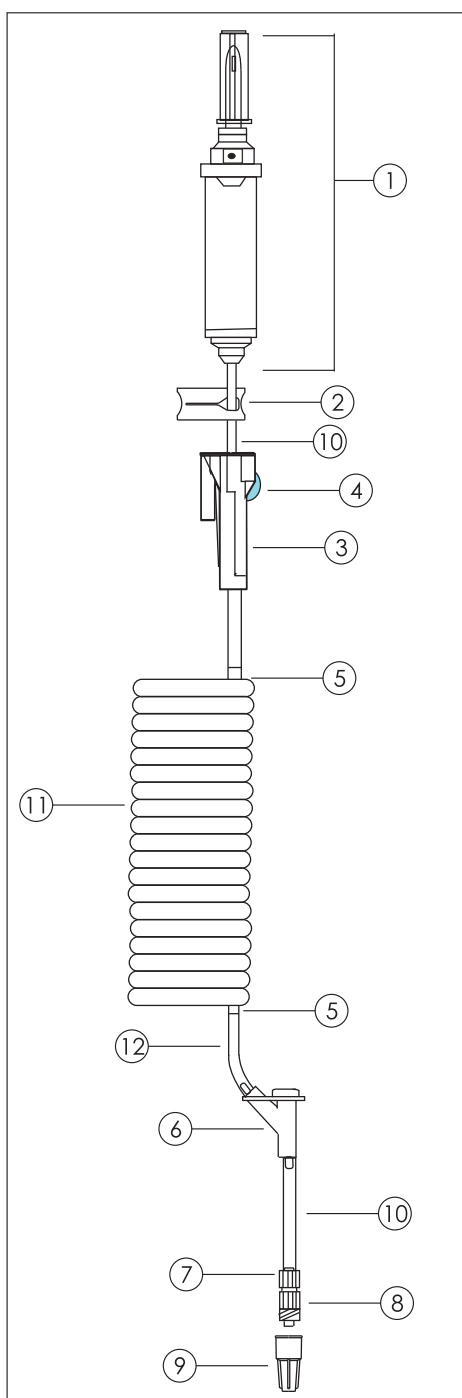
Infusion set with 1 spike,
Y injection site.



Reference	Tubing length	Sterilization	Units / box	Packaging dimensions/ volume
TSK-03	360 cm	Sterile (EtO)	25	39 x 39 x 25.4 cm/ 38 cm ³

No DEHP intentionally added, latex-free

TSK-03			
N.	Description		
1	Drip chamber		
2	Flat white clamp		
3	Roller clamp		
4	Blue wheel		
5	Transparent cone		
6	Y injection site		
7	Fixed Luer		
8	Rotating		
9	Priming cap		
	Inside Diameter (mm)	Outside Diameter (mm)	Length (mm)
10	3	4.1	300
11	3	4.1	3000
12	3	4.1	100



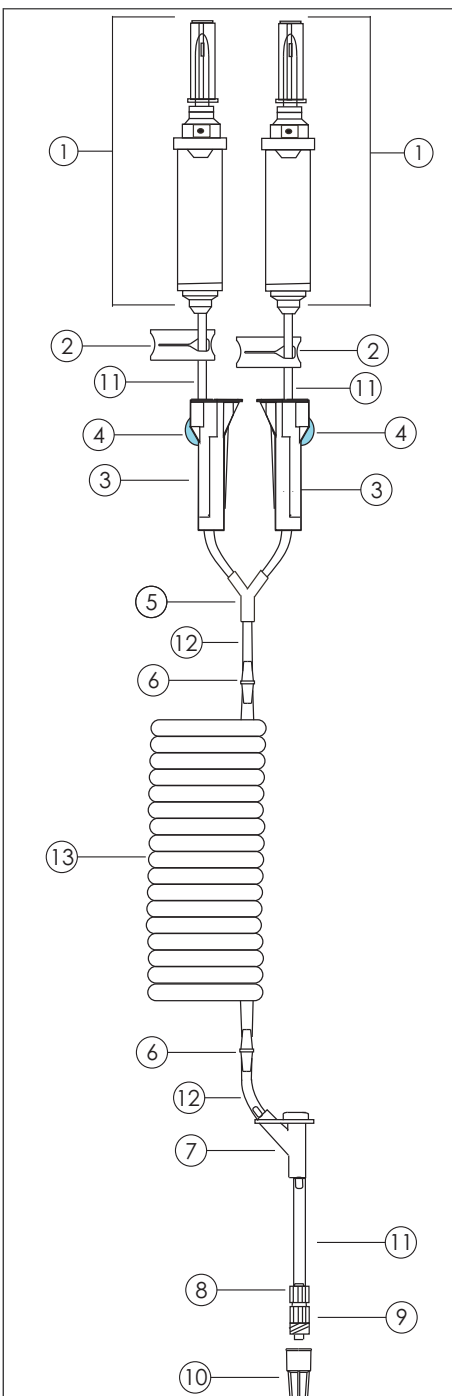
TSK-03B

Infusion set with 2 spikes and 2 chambers, Y injection site, spiral tubing.



Reference	Tubing length	Sterilization	Units / box	Packaging dimensions/ volume
TSK-03B	390 cm	Sterile (EtO)	25	39 x 39 x 25.4 cm/ 38 cm ³

No DEHP intentionally added, latex-free



TSK-03B			
N.	Description		
1	Drip chamber with filter		
2	Flat white clamp		
3	Roller clamp		
4	Blue wheel		
5	Y connector		
6	Transparent cone		
7	Y injection site		
8	Fixed Luer		
9	Rotating Luer lock		
10	Priming cap		
	Inside Diameter (mm)	Outside Diameter (mm)	Length (mm)
11	3	4.1	300
12	3	4.1	100
13	3	4.1	3 000

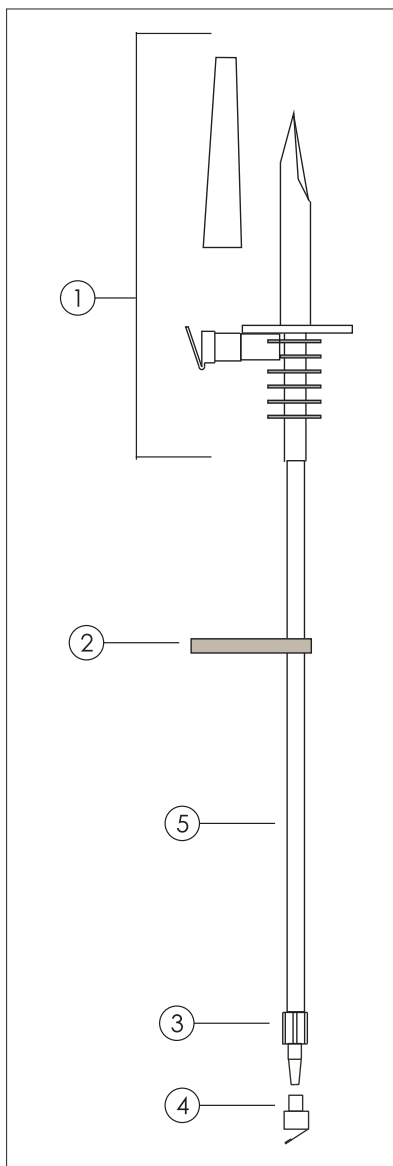
PF-04

High flow infusion set.



Reference	Tubing length	Sterilization	Units / box	Packaging dimensions/ volume
PF-04	150 cm	Not Sterile	50	39 x 39 x 25.4 cm/ 38 cm ³

No DEHP intentionally added, latex-free



PF-04			
N.	Description		
	Protective Cap		
1	Spike		
	Air inlet		
2	Flat clamp		
3	Male Luer lock		
4	Priming cap		
	Inside Diameter (mm)	Outside Diameter (mm)	Length (mm)
5	4.8	6.8	1500

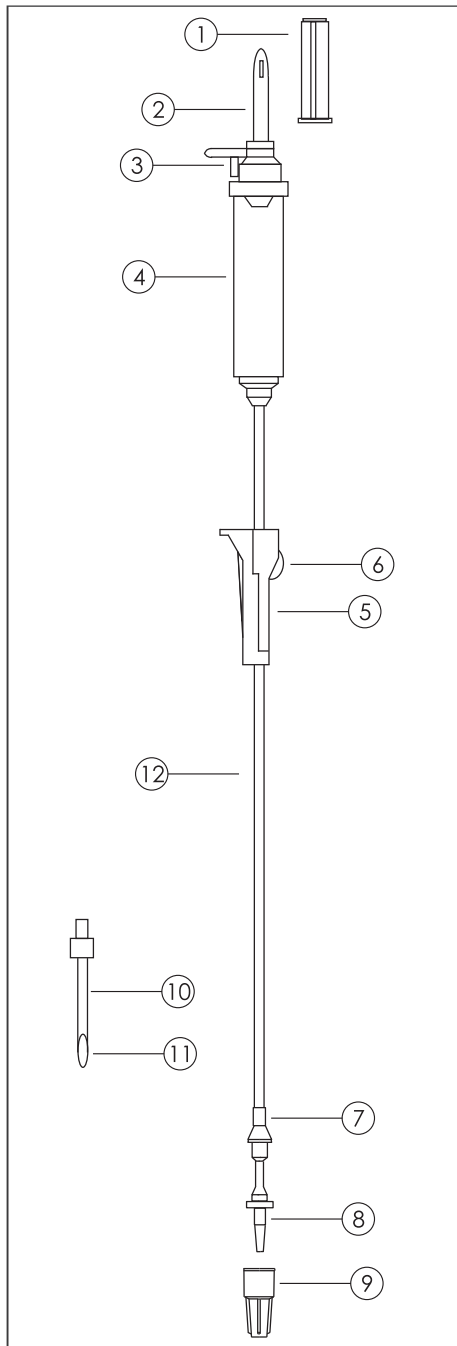
REV-1

Infusion set with needle.



Reference	Tubing length	Sterilization	Units / box	Packaging dimensions/ volume
REV-1	150 cm	Sterile (EtO)	200	39 x 39 x 41 cm/ 63 cm ³

No DEHP intentionally added, latex-free



REV-1			
N.	Description		
1	Protective Cap		
2	2-way spike		
3	Air inlet		
4	Drip chamber		
5	Roller clamp Standard		
6	Blue wheel		
7	Polyisoprene connector		
8	Symmetric connector		
9	Protective cap		
10	Needle		
	Inside Diameter (mm)	Outside Diameter (mm)	Length (mm)
11	3.5	5.5	70
12	3	4.1	1500

BD is a worldwide leading medical technology company delivering a broad portfolio of solutions dedicated to drug preparation and delivery.

BD Switzerland Sàrl, Terre Bonne Park – A4, Route de Crassier 17, 1262 Eysins, Switzerland
Tel: +41 21 556 30 00

[bd.com](https://www.bd.com)

